

PRODUCT CODE: LR1
MILLED EDGE LOCKRING



DESCRIPTION

20mm Milled Edge Lockring

FINISH

BZP

MATERIAL

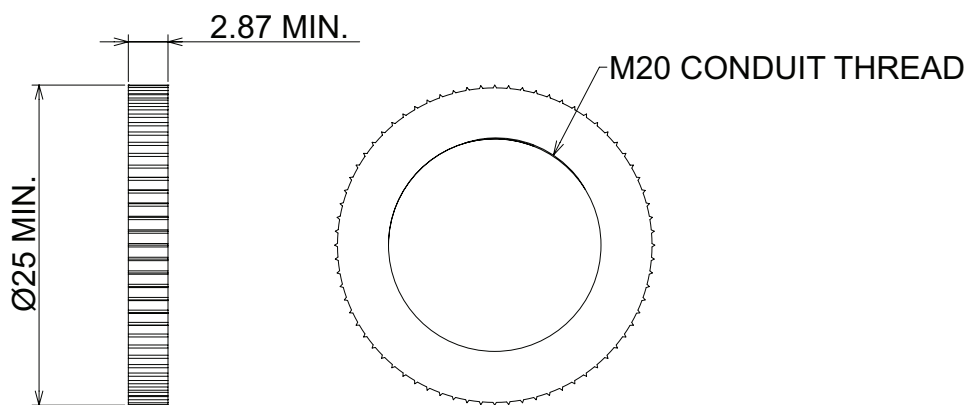
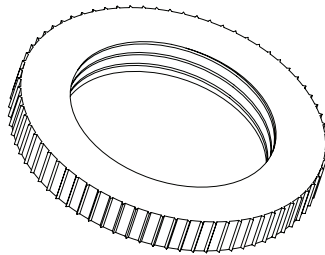
Steel

PACKAGING

Packed in qty 100

ADDITIONAL NOTES

Conforms to BS EN61386-1
Compliant to LU Standard 1-085 (for use on surface & sub-surface locations)



Values are nominal and with a general tolerance $\pm 5\%$ unless otherwise specified